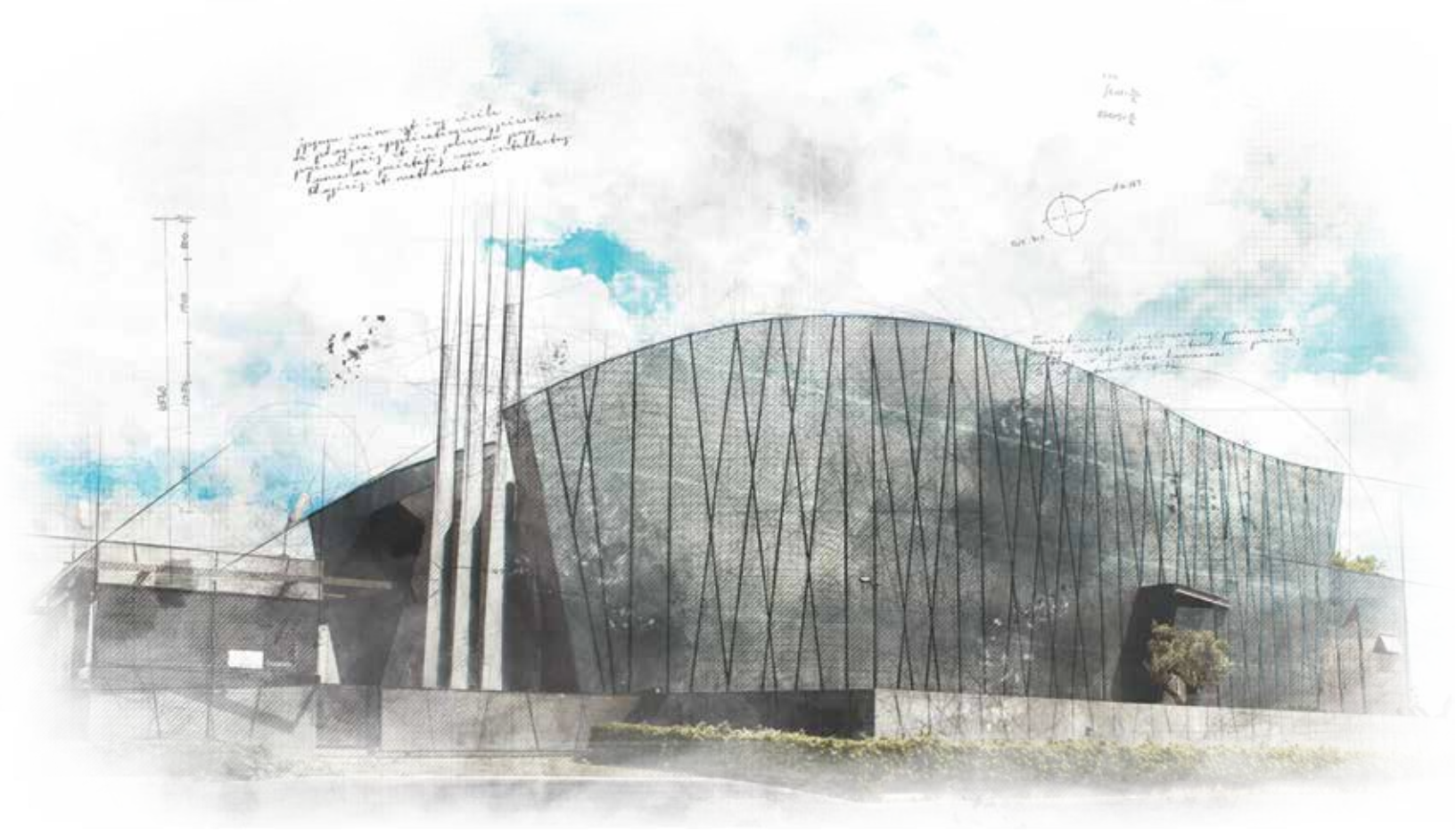




Producing for **You**, for **Turkey**,
for the **World!**



www.ayg.com.tr



**FIREFIGHTING
EQUIPMENT**



RELIABILITY

Our main goal is to be your most reliable partner, offering solutions at international standards to prevent loss of life and property caused by fire.



QUALITY

For sustainable growth and traceable quality management, we provide theoretical and practical training to all our employees, including technological developments. We carry our quality to higher levels by increasing the number of high-tech equipment.



CUSTOMER SATISFACTION

Our solution partners have the right to receive the products they demand in accordance with the quality standards within promised time. All the demands of our solution partners will be solved with a customer satisfaction-oriented service approach. Our basic policy is to understand of providing customer satisfaction.

A YANGIN GÜVENLİK SİSTEMLERİ SAN. TİC. A.Ş.

A Yangın company established in 2001, which provide services in the field of fire protection and extinguishing systems and firefighting equipment. It carries out mass production of fire equipment with its advanced machinery, new generation Robotic CNC machines in its 40.000 m² closed production facility with its 300 expert employees.

With its expert engineering team and R&D and P&D studies, it carries out fire-progress projects and implementations of hotels, highways, tunnels, public transportation, mass housing and shopping centers, especially in the industry, energy, petrochemistry, informatics, logistics, construction and defense industry.

At the same time, periodic or optional technical service, maintenance and repair of existing fire protection and security systems are provided by expert technical service staff. A Yangın Güvenlik A.Ş. succeeded to become the leading company in the fire sector with 24 product categories. There are Anatolian Regional Directorates in Ankara and a regional representative in Azerbaijan.

A Yangın is the only company that produces the most comprehensive fire extinguishing and safety equipment in Turkey, offering maximum and sustainable solutions for fire and life safety.



Product Categories

- 01** FIRE DOORS
- 02** FIRE CABINETS
- 03** FIRE HOSE
- 04** HYDRANT, VALVE, COUPLINGS, TURBO NOZZLE
- 05** FIRE EXTINGUISHERS
- 06** WATER AND FOAM MONITORS
- 07** FIRE PUMPS
- 08** WATER BASED SUPPRESION SYSTEMS
- 09** FOAM SUPPRESION SYSTEMS
- 10** GASEOUS FIRE SUPPRESION SYSTEMS
- 11** KITCHEN FIRE SUPPRESION SYSTEMS
- 12** SUPPRESSION SYSTEMS FOR ELECTRICAL CABINETS
- 13** FIRE ALARM AND SUPPRESION SYSTEMS
- 14** EMERGENCY EXIT LIGHTS AND SIGNS
- 15** SMOKE AND HEAT EXHAUST VENTILATION
- 16** FIRE AND CONSTRUCTION CHEMICALS
- 17** FIRE PROTECTION SYSTEMS
- 18** FIRE BARRIERS
- 19** DESIGN AND PROJECT MANAGEMENT
- 20** FIRE AND SAFETY TRAINING PRODUCTS
- 21** FIRE FIGHTER EQUIPMENT
- 22** TRUCK MOUNTED EQUIPMENT
- 23** AUTOMOTIVE
- 24** BIOVERSAL



QUALITY MANAGEMENT SYSTEMS CERTIFICATES

- ISO 9001 Quality Management System
- ISO 14001 Environmental Management System
- ISO 45001 Occupational Health and Safety Management System
- OHSAS 45001 Occupational Health and Safety Management System

CERTIFICATES OF BRANDED PRODUCTS

- TS EN 16034 Fire Doors
- TS EN 671-1 Fire Cabinets With Semi Rigid Fire Hose
- TS EN 671-2 Fire Cabinets With Flat Fire Hose
- TS EN 694:2014 Semi Rigid Fire Hoses
- TS 9222 Flat Fabric Fire Hoses
- TS EN 14540:2014 Fixed Systems Fire Hoses
- TS 745 EN ISO 2398 Air Hoses
- TS EN 14384 Above Ground Fire Hydrants
- TS EN ISO 9908 Centrifuge Pumps
- TS 12259 Fire Valves
- TS 2323 Coupling For Fire Hoses (For Naval Fire Dept.)
- TS 3145 Fire Hose Nozzle
- TS 12258 Couplings ve Collecting Breeching
- TS 862-7 EN 3-7+A1 Fire Extinguishers
- TS EN 1866-1 Mobile Fire Extinguishers
- TS EN 615 Extinguishing Agents ABC Dry Chemical Powders
- TS EN 1568 - 1 Extinguishing Foam Concentrates
- TS EN 1568 - 2 Extinguishing Foam Concentrates
- TS EN 1568 - 3 Extinguishing Foam Concentrates
- TS EN 1568 - 4 Extinguishing Foam Concentrates
- TS 5808 Paints and Vanishes
- TS EN 1846-1 UB-3010 Fire Fighting and Rescue Equipments
- TS EN 1846-2 Fire Fighting and Rescue Vehicles
- TS EN 1846-3 Fire Fighting and Rescue Vehicles

CE CERTIFICATES OF BRANDED PRODUCTS

- CE EN 14384:2005 Fire Hydrants DN80 ve DN100
- CE TS EN ISO 12100:2010, TS EN 1846-1:2011
- CE 2017-TURK-1562-17-IS-1204 Kithcen Fire Hood 6L,12L,17L,24L
- CE ZSTS/SWZE/2127 Kithcen Fire Hood 6L,12L,17L,24L
- UL 300 / TS 13699 Certificate of Conformance Kithcen Fire Hood Extinguishing Systems 6L,12L,17L,24L

SERVICE QUALIFICATION CERTIFICATE

- TS 11827 Fire Extinguishers Refill and Maintenance
- TS 12849 Authorised Services Alarm Equipments Fire Detecting Systems Maintenance Service
- TS 13345 Fire Extinguishing Systems and Equipments
- TS 12873 Fire Pumps Technic Service





40.000 m²



300+



Integrated



Certification

Production Area

It carries out mass production of fire equipment with its advanced machinery, new generation Robotic CNC machines, in its 40.000 m² closed production facility.



Employees

A YANGIN, is one of the leading organizations in Turkey with 40 years of experience, and 300 certified, and dynamic expert employees.



Sustainability

A Yangin take a place in the fire security sector with its product design integrated with technological developments and sustainable service understanding.



Quality

In order for fire protection systems and equipment to perform their functions flawlessly, on time and completely, services are provided in accordance with the procedures of the institutions, having national and international quality standards.



FIRE FIGHTING VEHICLES

FIRE FIGHTING RESCUE VEHICLE



EQUIPMENT

- 2.000 lpm capacity high pressure water pump
- GRP water tank with 2.5 tons capacity
- GRP foam tank with 300 L capacity
- 1.600 lpm capacity roof monitor
- AYG Intervention Hose Reel With Electric Motor
- Bumper winch
- Hydraulic Cutting and Spreading Tools
- Ower Generator
- 1.8 meters fold-down telescopic projector
- Electronic warning and siren system
- Tank access ladder at rear

NARROW STREET FIRE FIGHTING VEHICLE



EQUIPMENT

Fire Pump: AYG Pump 3.000 lpm at 10 bar pressure

Monitor: 2.400 lpm, 70 meters range

First Intervention Hose Reel:

AYG Intervention Hose Reel With Electric Motor

Superstructure: Aluminium panel profile, anodised weldless joining system equipment cabinets with 7 roller shutters, adjustable sliders and shelves 5.000 L capacity 4mm AISI 304 quality stainless steel water tank, 300 L capacity 4mm AISI 316 L quality stainless steel foam tank, electronic warning and siren system tank access ladder at rear and portable ladder, high quality pump and fire fighting equipment 5 meters telescopic projector digital touchscreen pump control panel.

FOREST TYPE FIREFIGHTING VEHICLES

Forest Fire Fighting Vehicles, Forest Type Fire Trucks are fire extinguishing vehicles designed for fires in forests and scrub landscapes and hard-to-reach terrain. Thanks to the appropriate protective equipment on the vehicle, the safety of the fire brigade is ensured at the highest level.

These vehicles are designed to respond to fires in forests and difficult terrain conditions. It is equipped with Fire Pump, Water and Foam Tank, Bumper Winch, Monitor, and First First Intervention Hose Reel System. There are available Personal Protective Equipment in the vehicle.



FIRE FIGHTING VEHICLE WITH 28 M HYDRAULIC LADDER

EQUIPMENT

Fire Pump: AYG Pump 3.000 lpat 10 bar pressure

Monitor: Remote controlled 2.400 lpm monitor with 70 meters range

First Intervention Hose Reel:
AYG Intervention Hose Reel With Electric Motor



Superstructure: Aluminium panel profile, anodised weldless joining system. Equipment cabinets with 7 roller shutters, adjustable sliders and shelves 6.000 L capacity 4mm AISI 304 quality stainless steel water tank, 300 L capacity 4mm AISI 316 L quality stainless steel foam tank, electronic warning and siren system. Tank access ladder at rear and portable ladder high quality pump and fire fighting equipment 28 m 4 stage hydraulic ladder with rescue cage digital touchscreen pump control panel.

- 100 L capacity 4mm AISI 316 L quality stainless steel foam tank
- 8 meters fold-down telescopic projector
- High quality cutting and spreading tools and life detection systems
- Electronic warning and siren system
- Tank access ladder at rear

AYG FIRE HIGH PRESSURE FIRE EXTINGUISHING SYSTEM



AYG FIRE Fire Extinguishing System; It is mounted on a chassis made of ST-37 or stainless steel material, on rubber wedges that prevent vibration. It is the first fire response system with gasoline and diesel engine options for hard-to-reach areas.

With the water and foam tanks on the AYG FIRE System and an independent engine, it can respond to the fire very quickly and effectively without the need for any power source. Since it is small in structure, it can be easily used by a personnel and the fire can be intervened quickly.



TECHNICAL SPECIFICATIONS

- Pump Pressure(BAR) : 100-150
- Water Flow (l/h): 1600/2000
- Throwing Distance : 11-14 (Foam+Water covered area)
- Engine Power(HP): 13-21 HP
- Engine Type(12V): Gasoline-Diesel
- Water Tank(l): 300
- Foam Tank (l): 2x30

TRAILER TYPE FIRE TANKERS



Trailer type fire tankers are designed to be towed with a tractor, which takes the movement of the tank from the rear output shaft of the tractor on a single-axle two-wheeled chassis, and the other equipment is mounted in a way that can fulfill its functions.



Trailer type fire tankers can be towed as well as optionally with Diesel/Gasoline Motopomp.

AYG LOW PRESSURE PUMP

Low-pressure, aluminum body, stainless shaft, reducer centrifugal water pumps with flow rate are EN 1028 certified.

TECHNICAL SPECIFICATIONS

- AYG PUMP 10/1500 : 10 Bar 1500 LPM
- AYG PUMP 10/2000 : 10 Bar 2000 LPM
- AYG PUMP 10/3000 : 10 Bar 3000 LPM



AYG HIGH-NORMAL PRESSURE PUMP

TECHNICAL SPECIFICATIONS

- Type: AYG300 , AYG200
- Flow Rate: 300 l/min
- Normal Flow: 3000 - 2000 l/min
- High Flow: 250 - 400 l/min
- Normal pressure: 40 bar
- Working temperature: -15 c / + 55 c



AYG MOTOPUMP

AYG PUMP - 1000/M motor pump consists of a domestically produced two-stage centrifugal pump and an attached gasoline or diesel engine. The body is made of sea water resistant aluminum alloy material and the pump shaft is made of stainless steel material.



AYG INTERVENTION HOSE REEL WITH ELECTRIC MOTOR

In the pressurized water lines of fire trucks, we manufacture an AYG branded intervention hose reel in 1" and 3/4" dimensions.

TECHNICAL SPECIFICATIONS

- Opened manually and rewinded with a 12 V electric motor.
- Hose usage at the desired diameter and length,
- Safe operation in normal and high pressure applications
- Easy to mount





LIGHT TOWERS

TECHNICAL SPECIFICATIONS

- Mounted on the superstructure
- Can be mounted vertically
- No need for vehicle interior space
- Mainly used in search and rescue operations
- Works via vehicle air system.
- Can be powered from the vehicle battery or via an external generator
- LED lamps
- Can be cable or wireless remote controlled
- All models can work with 24V.



FIRE TRUCK ROLLER SHUTTER DOOR

TECHNICAL SPECIFICATIONS

- Made of strong, double-sided aluminum extrusions.
- Durable aluminium alloy lift handle.
- Smooth, easy operation with spring-loaded roller take-up.
- Small take-up roller allows maximum use of compartment.
- Smooth anodized aluminum or custom-painted finish to match your vehicle.
- Full complement of options and accessories .
- Waterproof and dustproof.
- Customized color ,size , bracket etc could design according to your truck.



AYG TURBO NOZZLE

AYG brand turbo nozzle solves many problems of firefighters with its high pressure water discharge system. Thanks to its lightness, ease of use and assembly, it provides ease of use with control against bending of fire hoses with pressure.

TECHNICAL SPECIFICATIONS

- Production can be made with different types of couplings.
- The body of the turbo nozzle is made of aluminum material.
- The parts that control the flow of water in the body are made of stainless material.
- It has TSE 12258 standard.
- The body of the turbo nozzle is covered with hard anodized coating.
- Minimum 40 m throw should be made in straight flow position at 8 bar.
- The Turbo Nozzle will spray water at an angle of 0°-120°.



FIXED TYPE WATER AND FOAM MONITOR

AYG Fixed Type Water and Foam Monitor is a compact, electrical monitor designed for use in different conditions. It is a suitable choice for use as a roof monitor in all fire and other service vehicles. @8 bar pressure at the monitor output flow rate can reach up to 1600-2700 LPM. It works in the range of $-180^{\circ}/+180^{\circ}$ horizontally and $-15^{\circ}/+60^{\circ}$ vertically by means of electric motors and controllers. It is suitable for different equipment and couplings. AYG monitor has Domestic Made, CE, EN ISO 12100:2010, EN 60204-1:2006 AC:2010 certificates.



+60°

** Maximum to +90°
up to adjustable.*

-15°

** To a maximum of +80°
up to adjustable.*



*Optional Detachable
Foam Pipe*



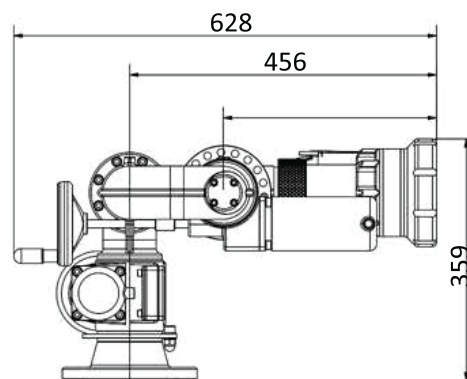
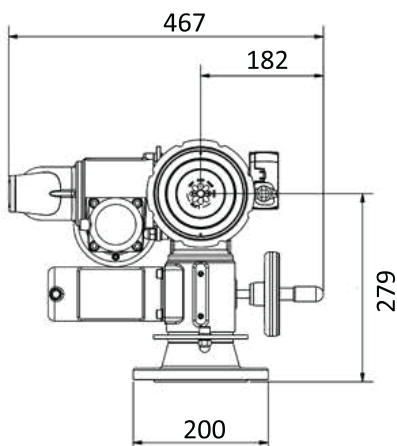
*For Emergency Use
Manual Handwheels*



*Easy to Use Inside the Vehicle
Joystick Box*



*Allowing Control from a Distance of 300 Meters
Remote Control System*



**All dimensions are in mm.*

FIRE HOSES

A Yangin is a leading hose supplier for Fire and Rescue Services, Oil and Gas Operators, Marine Industry and for an Industrial users. In 2008, it registered the **HOREKS** brand and started to produce HOREKS branded hoses. They produce TSE and EN certified fire hoses, general purpose water hoses, compressed air hoses, water system Rubber and PVC hoses are produced in accordance with ISO 9001:2015 quality management standards.

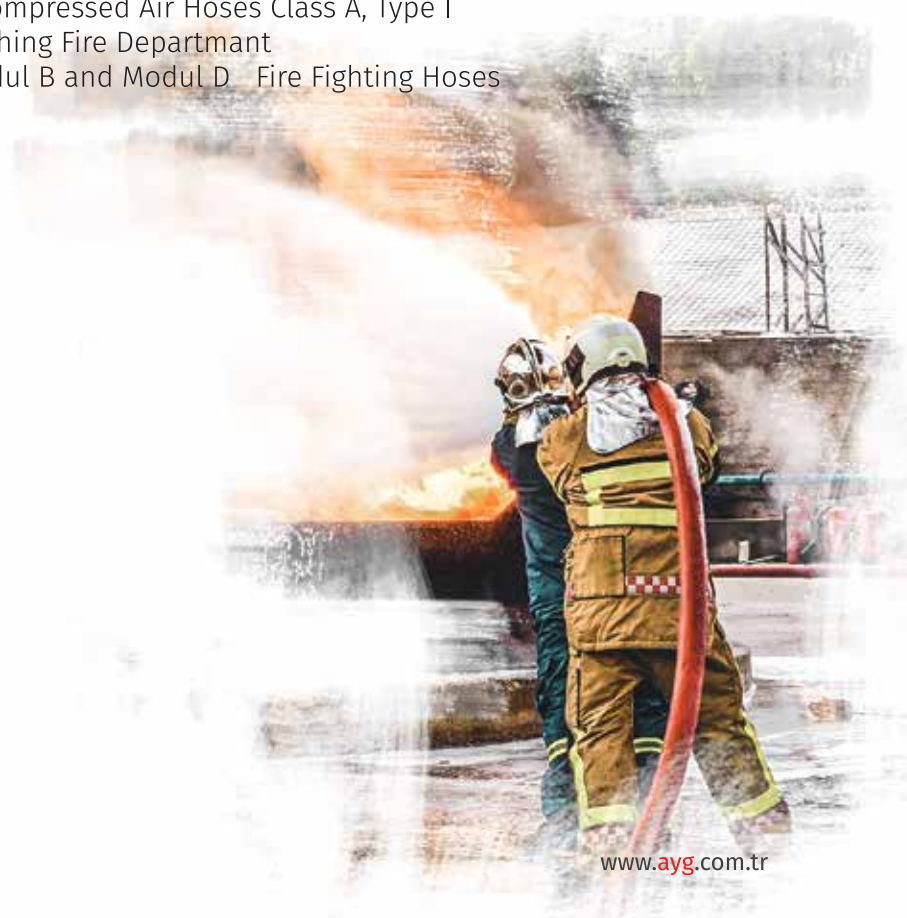


HOSE TYPES

- Interior External Coated Fire Hose
- Master Fire Hose
- Semi Rigid Hose
- Internal Rubber Fire Hose
- Internal Thermoplast Fire Hose
- Bulk Trailer Hose
- Self Wetting Hose
- Internal Thermoplast Fire Hose
- PVC Fire Hose
- Fire Extinguishing Equipment Hose
- Suction Hose

HOREKS BRANDED QUALITY CERTIFICATES

- TS EN 14540:2014 Fire Extinguishing Hose
- TS EN 694-2014 Fire Extinguishing Hoses – Semi Rigid Hoses
- TS 745 EN ISO 2398 Fabric Reinforced Compressed Air Hoses Class A, Type I
- TS 9222 Hoses – Used For Fire Extinguishing Fire Department
- Wheelmark Med/3.29 (2014/90/UE) Modul B and Modul D Fire Fighting Hoses



NOW AVAILABLE FORGED

COUPLINGS

We produce different type of couplings; hose coupling, female thread coupling, male thread coupling, coupling cap with chain and adapter(reducer).

- Storz • Gost • John Morris • DSP • NH



BRANCHPIPE NOZZLE

Available aluminum or ABS materials.

- 1", 1½", 2", 2½"



HEAVY EXPANSION FOAM NOZZLE

The handle is made of rubber and the body is made of stainless steel. It has the ability to throw 200 and 400 liters of foam per minute.



MEDIUM EXPANSION FOAM NOZZLE

The handle is made of rubber and the body is made of stainless steel. It has the ability to throw 200 and 400 liters of foam per minute.



FOAM INDUCTOR

Production is made in capacities of 200 Lt/min, 400 Lt/min. It can be used with heavy and medium foam nozzles in desired coupling sizes. There is a foam proportioner between 0% and 6%. It is TSEK UBM-00-BK-000 certified.



WATER CURTAIN

It is produced to protect firefighters from fire. It consists of aluminum casting body and aluminum plate. It is produced in different diameters.



SUCTION STRAINER

The suction strainer is a valve, which is installed at the suction line's inlet to prevent the penetration of dirt. After the pumping operation has been completed, suction strainers with integrated foot valve prevent the suction line from running empty.



VALVES

- Available with Storz, NH, John Morris, Gost, DSP, Type Couplings
- Available with Brass or aluminum material
- High quality casting finishes
- High corrosion resistance.



FIRE HYDRANT



Hydrant is the connection equipment made to the main fire supply line to take water from the main fire supply line to the hose and other fire protection devices. It consists of the connection ports left for the fire brigade to be able to intervene in the fire. During a fire, water can be supplied to fire trucks with hydrants placed at regular intervals outside the building, or the fire can be intervened by connecting a hose directly. The connections of the hydrant lines are feed from the city water network or from the fire pump in large enterprises.

TECHNICAL SPECIFICATIONS

- Water is always present in the hydrant bush of wet fire hydrants and in the valve mechanism.
- It is suitable for use in places where there is no risk of freezing.
- It is possible to operate them separately from each other with 2x2½ "or 2X2" independent valves.
- It is produced in Dn80, Dn100, Dn150.
- In the Dn80 Models there are 2x2 "valve output and closure.
- Dn100 and Dn150 models have 2x2½" valve and coupling.
- All parts made of cast materials are resistant to corrosion.



WET BARREL HYDRANT WITH FOAM MONITOR ELEPHANT SERIES

TECHNICAL SPECIFICATIONS

- NST type couplings connection, according to NFPA1963 and provided with cap and chain.
- The throw of the monitor over 40m.
- Adjustable nozzle full fog to straight stream.
- Stainless steel lever for durability and easy control.
- Full 360° rotation with vertical travel of 135.
- Integrated automatic hydrant drain valve.
- Assembled with listed pressure restricting valves.
- 8" traditional Tee design with four 2 ½" hose connection, one 6" storz connection and 4" foam monitor outlet.
- Assembled with listed Butter fly Valves (microswitch).
- Available with various discharge options. (NST, BSP, Storz, etc).
- Available with check valves or pressure gauges.
- Available with orifice flange arrangement.



FIRE DOORS

AYG is one of the biggest fire door manufacturer in Europe which offers production solutions suitable for your projects with single leaf and double leaf options, EI 60, 90, 120 different strength and accessory options.

Manufactured in accordance with TS EN 16034 standart which conforms to EU norms, AYG branded Single and Double Leaves Fire Doors are independently tested to TSE (Turkish Standarts Instution) and provide EI 60,90,120 minutes of fire protection performance.

GENERAL SPECIFICATIONS

- EI 60,90,120 minutes fire resistance
- Reinforced door leaf
- Blind four-sided door frame
- Panic bar and door closer options
- Hinge adjustment
- Custom production on requested RAL code

VISION PANEL

- A vision panel can be installed at any door.
- Dimensions: W x H: 500 mm x 500 mm.
- Combinations: Any combination of rows is possible.

Dimensions can be changed according to the order.

USAGE AREAS

- High rise buildings
- Shopping malls
- Hotels
- Airports
- Railway Stations
- Industrial plants
- Ships and freight / Passenger liners
- Telecom centers
- Cellar network stations

** AYG offers a wide range of doors with varying fire rating and sizes.*

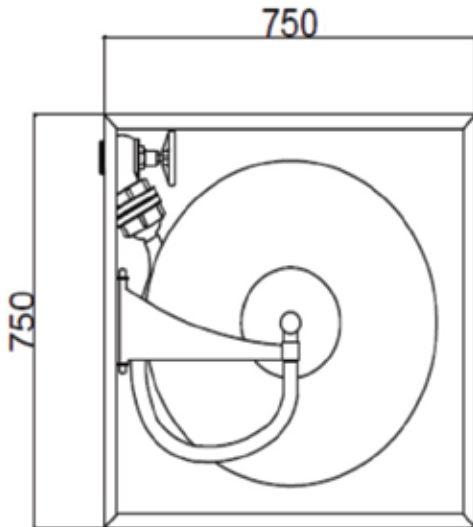


FIRE CABINETS

WET SYSTEM FIRE CABINETS



AYG branded Wet System Fire Cabinets have an attractive and compact design with universal high quality standards. Manufactured in accordance with **TS EN 671-1** AYG branded Wet System Fire Cabinets also carries the **CE Mark EN671-1** Standards Wet System Fire Cabinets are manufactured as surface or recessed wall mounted, glass lid, with fire extinguisher compartment or without fire extinguisher compartment. Hose reel mounted inside the cabinet door opens 180°. The reel can easily be removed from the cabinet to facilitate the installation all cabinets are painted untouched by human hands as requested RAL color at own painting ovens.



TECHNICAL SPECIFICATIONS

- Made of 1.2mm A1 Grade carbon steel sheet metal.
- Convenient for water inlet on sides, top and back of the case.
- Painted with electrostatic powder paint which has 70 micron thickness
- Besides to standard designs and colors, optional designs and colors available (in RAL codes).

** Dimensions can be changed according to the order.*



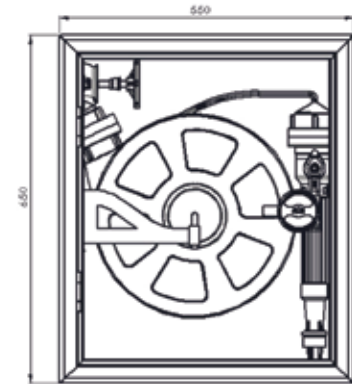
DRY SYSTEM FIRE CABINETS

AYG branded Dry System Fire Cabinets have an attractive and compact design with universal high quality standards. Manufactured in accordance with TS EN 671-1 AYG branded Wet System Fire Cabinets also carries the CE Mark EN671-1 Standards Dry System Fire Cabinets manufactured as surface or recessed wall mounted, glass lid, with fire extinguisher compartment or without fire extinguisher compartment. Hose reel mounted inside the cabinet with door opens 180°.



TECHNICAL SPECIFICATIONS

- Made of 1.2mm A1 Grade carbon steel sheet metal.
 - Convenient for water inlet on sides, top and back of the case.
 - Painted with electrostatic powder paint which has 70 micron thickness
 - Besides to standard designs and colors, optional designs and colors available (in RAL codes).
 - Special design reel hose made of A1 grade carbon steel sheet metal
 - 2" or 2 ½ " diameter layflat fire hose (20m, 25m, 30m)
- There are two aluminium coupling on each edge of the hose as mounted the wire winding.



* Dimensions can be changed according to the order.

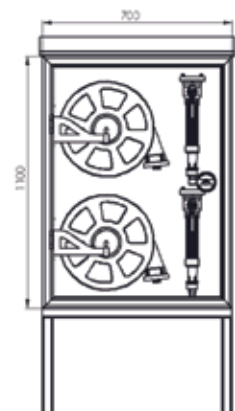
OUTDOOR TYPE DRY SYSTEM FIRE CABINETS

AYG branded Outdoor Type Dry System Fire Cabinets have an attractive and compact design with universal high quality standards. Manufactured in accordance with TS EN 671-1 AYG branded Wet System Fire Cabinets also carries the CE Mark EN671-1 Standards Outdoor Type Dry System Fire Cabinets manufactured as surface or recessed Wall mounted, glass lid, with fire extinguisher compartment or without fire extinguisher compartment. Hose reel mounted inside the cabinet with door opens 180°.



TECHNICAL SPECIFICATIONS

- Made of 1.2mm A1 Grade carbon steel sheet metal. Footed - roofed
- Painted with electrostatic powder paint which has 70 micron thickness.
- Besides to standard designs and colors, optional designs and colors available (in RAL codes).
- Special design reel hose made of A1 grade carbon steel sheet metal
- 2" or 2 ½ " diameter layflat fire hose (20m, 25m, 30m)
- There are two aluminum coupling on each edge of the hose as mounted the wire winding 2" or 2 ½ " 3 position ed (jet/Spray/off) branch pipe nozzle (Aluminium or ABC material) with 2" or 2 ½ " coupling.



* Dimensions can be changed according to the order.

DRY CHEMICAL POWDER FIRE EXTINGUISHERS

Manufactured in accordance with TS 862-7 EN 3-7 and TS EN 1866-1 standard, AYG branded ABC Type Dry Chemical Powder Fire Extinguishers also carries the CE mark and independently tested to TSE (Turkish Standards Institution).



TECHNICAL SPECIFICATIONS

- Dry Chemical Powder (MAP) 40% and 90% meet the requirements TS EN 615
- Pre-checked ready for use
- Pressure gauge for visual inspection
- Safety pin to prevent inadvertent discharge
- Supplied with wall mounting bracket
- Tough alloy steel cylinder
- Corrosion - resistant coating
- Fully refillable and serviceable
- Spare parts available

CERTIFICATES

- TS 862-7 EN 3-7+A1 Mobile Fire Extinguishers
- TS EN 1866-1 Portable Fire Extinguishers
- LC 694778 IATF 16949:2016 Quality Control System
- TS EN 615-2011 Chemicals of Fire Extinguishers

BIOVERSAL QF / QF -R FIRE EXTINGUISHERS

The body is electrostatic powder painted. 25 BAR hydrostatic pressure test is applied on the body of the devices. Valve assembly, which ensures the controlled operation of the devices, is CE certified. Filtered manometers are used in our devices. Bioversal QF is a multifunctional biological fire extinguishing product. Our devices have a special suspension device. In addition, it prevents the re-ignition of the burning substance.



TSE 862-EN-7 APPROVED.

BIOVERSAL BIOLOGICAL FOAM FIRE EXTINGUISHERS

CAPACITY	EMPTY - FULL WEIGHT	WORKING PRESSURE	EXTINGUISHING AGENT
2 LT	1.25 kg / 3.25 kg	17 BAR	Bioversal QF/ QF-R
6 LT	3.25 kg / 9.25 kg	17 BAR	Bioversal QF/ QF-R
9 LT	4 kg / 13 kg	17 BAR	Bioversal QF/ QF-R
25 LT	22 kg / 47 kg	17 BAR	Bioversal QF/ QF-R
50 LT	28.5 kg / 78.5 kg	17 BAR	Bioversal QF/ QF-R

ABC TYPE DRY CHEMICAL POWDER (AYEX)



Manufactured in accordance with **TS EN 615** standard, Ayex ABC 40 and Ayex ABC 90 are efficient ABC type dry chemical extinguishing powder. It is based on mono-ammonium phosphate, the best known and effective multipurpose extinguishing agent. The active ingredient is mixed with silicone additives to improve their function and makes it resistant to extreme weather conditions. It may be used in both, hand portable and wheeled extinguishers, vehicles and fixed systems. The use of nitrogen as propellant is advisable.

APPLICATIONS

Ayex dry chemical powder is a multipurpose fire extinguisher powder. It is used in:


- Class A fires: Fires originated by solid combustibles such as wood, paper, fabric, plastic and most of kinds trash.
- Class B fires: Fires whose fuel is flammable or combustible liquid or gas
- Class C fires: Fires involving potentially energized electrical equipment.

TOXICITY

Ayex Dry Chemical Powder does not contain harmful ingredients. Under normal conditions

APPEARANCE

Ayex Dry Chemical Powder is a light yellow free flowing, hydrophobic powder. Other colors are available upon request.

 ABC TYPE DRY CHEMICAL POWDER	MONO AMMONIUM PHOSPHATE (MAP) 40%	MONO AMMONIUM PHOSPHATE (MAP) 90%
COLOUR	YELLOW	YELLOW
AMMONIUM PHOSPHATE (MAP) RATE (%)	41.8	91.1
AMMONIUM SULFATE (AS) RATE (%)	57.4	8.4
DENSITY (g/cm)	0.84	0.83
WATER CONTENT (%)	0.16	0.17
AGGLOMERATION RESISTANCE	APPROVED	APPROVED
WATER ABSORPTION	APPROVED	APPROVED

AYEX BEST FOAM

MEDIUM EXPANSION SYNTHETIC FOAM CONCENTRATES

Medium Expansion Synthetic foam concentrates are foam concentrates in accordance with the definition of TS EN 1568-1 Standard.

HIGH EXPANSION SYNTHETIC FOAM CONCENTRATES

AYEX High Expansion Synthetic foam concentrates are foam concentrates in accordance with the definition of TS EN 1568-2 Standard.

LOW EXPANSION FOAM FORMING FOAM CONCENTRATES (AFFF)

AYEX Low Expansion Aqueous Film-forming foam concentrates are foam concentrates in accordance with the definition of TS EN 1568-3 Standard.

LOW EXPANSION ALCOHOL RESISTANT AQUEOUS FILM FORMING FOAM CONCENTRATES (AR-AFFF)

Low-Expansion Alcohol-resistant aqueous film-forming foam concentrates are foam concentrates in accordance with the definition of TS EN 1568-4 Standard.

FOAM CONCENTRATES WITH FLOROPROTEIN

Fluoroprotein provides an increase in foam quality by decreasing the surface tension of water and provides a product with high combustion resistance in extinguishing foam. It is especially suitable for use in ports, fuel stations and maritime transport. It is produced at usage rates at 3% and 6% concentrations.

FOAM CONCENTRATES WITH PROTEIN

The use of protein structure in quenching foams provides strength in the foam structure, increases the heat resistance of the foam, provides stability and facilitates biodegradation. The main difference of Protein foams, is more adhesive than other foam types, are preferred especially in ship and shipyard fires. It is produced at usage rates at 3% and 6% concentrations.

A CLASS CAFS FOAM

AYEX BEST FOAM CLASS A product provides extra cooling and extinguishing process by cutting the oxygen contact with the fast hydrogen bond formed on the flammable solid materials. Generally foam used in forest and wild field fires, paper and rubber industries, worksite fires.

**Effective mixing ratio is between 1% and 10% in A Class fires. The mixing ratio for the CAFS system is 0.1% - 1%.*

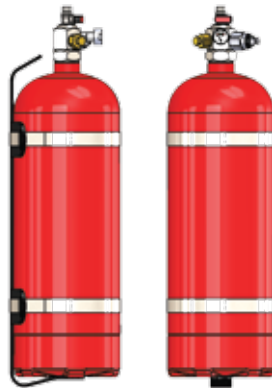


SUPPRESSION SYSTEM FOR ELECTRICAL CABINETS



The **AYG Direct Low-Pressure System** provides simple, reliable protection for critical assets. During the installation, the red detection tubing is run into and throughout the cabinet, ensuring that detection is close at hand should a fire start.

Should a fire break out, the point on the pressurized detection tubing nearest the heat source will burst, allowing the fire suppression agent to flow from the cylinder through the tubing, and out of the rupture hole directly at the source of the fire. The result is a long discharge of agent in the immediate vicinity of the fire, suppressing the fire where it starts. **AYG Direct Systems** can also be used in cable runs and trays. Direct systems are fully automatic and cannot be manually activated.



Because the system takes the fire detection and suppression inside of the hazard, a growing fire can be caught quickly, preventing the spread of fire to other parts of the building that would require firefighters or water sprinklers to extinguish.

By containing the fire to the individual enclosure damage is limited to that enclosure and the collateral damage often caused by traditional fire suppression is avoided.



Pre Engineered System



5 Years Guarantee



Fully Automatic



Fast Detection

CAUSES OF ELECTRICAL CABINET FIRES

- Short-circuits, overloading or overheating of components
- Defective electrical connections
- Electrical malfunctioning
- Electrical surges
- Fatigue/Life time of electrical wires
- Incorrect installation
- Faulty equipment

CONSEQUENCES OF ELECTRICAL CABINET FIRES

- Damage to equipment and surrounding areas
- Operations interruption/downtime
- Possible loss of clients
- Financial loss
- Business & Asset safety risk

KITCHEN FIRE SUPPRESSION SYSTEMS

According to research, 57% of all restaurant fires are caused by cooking equipment. According to research, 57% of all restaurant fires are caused by cooking equipment. Oil fires are important risk for industrial kitchens because they cannot be inextinguishable with water. In hoods that are not cleaned regularly, the density of flammable substances such as oil increases. This increases the risk of fire because the oil is the most easily flammable fuel consumption. The "Hood Extinguisher System", developed with R&D and P&D studies for kitchen fires, always protects you and your kitchen by eliminating these risks.



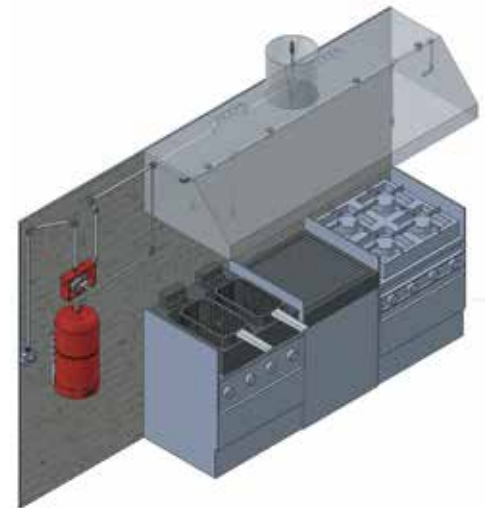
AREAS OF USAGE

- Restaurants
- Hotels
- City Centers
- Shopping malls
- Schools
- Hospitals and Health Institutions
- Industrial Facilities
- Airports.



ADVANTAGES AND BENEFITS

- User friendly and environmentalist
- Cost and labor is low
- Advantage of easy cleaning, maintenance and refilling
- Through the flue nozzles, it provides the opportunity for simultaneous intervention for ventilation and chimney parts.
- Adaptable design for every kitchen type.
- UL Listed (UL 300 compatible) and CE Marked.
- Manual and automatic button, eliminates the need specially trained staff
- Made of chrome nickel against rust corrosion.



QUALITY CERTIFICATES

- 18-IS-1606-TAT-19-TPI-0299 UL 300 / TS 13699 TUV AUSTRIA
- 2017-TURK-1562-17-IS-1204 Fire Extinguisher 6L,12L,17L,24L TUV AUSTRIA
- ZSTS/SWZE/2127 Fire Extinguisher 6L,12L,17L,24L TUV AUSTRIA

FM200 (HFC-227ea) FIRE SUPPRESSION SYSTEMS



FM-200® is a clean, colorless, and environmentally friendly fire suppression agent that is electrically non-conductive and safe for humans. The FM-200 system is ideal for areas occupied by personnel and containing assets that could be damaged by water. The low concentration of agent required and low toxicity means less visual obscuration and minimal risk to people. The colorless odorless gas leaves no residue, eliminating post-fire agent cleanup and minimizing downtime. It extinguishes flames primarily through heat absorption and is respected worldwide.

NOVEC1230 FIRE SUPPRESSION SYSTEM



3M™ Novec 1230 Fire Protection Fluid is a next-generation halon alternative designed to balance industry concerns for performance, human safety and environment, which makes Novec1230 fluid the first option to sustainable Technologies. It combines outstanding extinguishing performance with excellent environmental profile. Novec1230 fire fluid has zero ozone depletion potential. The atmospheric lifetime of Novec1230 fluid has no measurable impact on climate change. Novec 1230 fire protection fluid extinguishes fire primarily by removing heat from the fire. It is also electrically non-conductive.

CARBON DIOXIDE (CO₂) FIRE SUPPRESSION SYSTEMS

CO₂ fire extinguishing systems are available in both versions high pressure and low pressure. In high pressure CO₂ fire extinguishing agent is stored in cylinders up to 70 bar pressure. In low pressure CO₂ fire extinguishing systems, the extinguishing agent is stored in special refrigerated tanks at 18 bar pressure.



INERGEN FIRE SUPPRESSION SYSTEMS

Inert gas 541, better known as Inergen mixture of 52% Nitrogen 40% Argon and 8% CO₂. However in the event of a fire when Inergen is discharged, it mixes with the air present in the room to create a mixture that comprises of 67.3% Nitrogen 12.5% Oxygen, 17% Argon and 3.2% CO₂. Inergen clean agent fire suppression systems are completely environmentally friendly and safe to use in enclosed areas where people may be present.

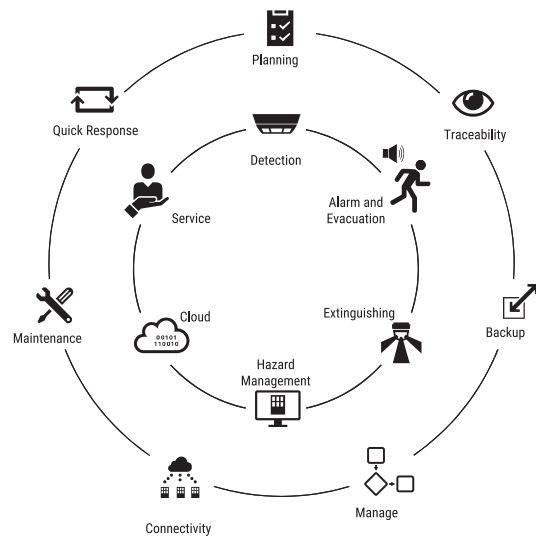
EMERGENCY EXIT LIGHTS AND SIGNS

Emergency directions use to reach exits easily, at all buildings with more than one exits. In case of emergency, it is essential to place emergency exit signs with the way everyone can see the locations of evacuation exits and ways form each points in the buildings.



FIRE DETECTION and ALARM SYSTEM

There are several options for a buildings fire detection and alarm system. The ultimate system type, and selected components, will be dependent upon the building construction and value, its use or uses. Contracting a fire engineer or other appropriate professional who understands fire problems and the different alarm and detection options is usually a preferred first step to find the best system.





Producing for **You**, for **Turkey**,
for the **World!**



A YANGIN GÜVENLİK A.Ş.

Headquarters and Factory

Yavuz Sultan Selim Cad. No:81
Ayrancılar-Torbali / **İZMİR**

+90 232 257 69 40 - 41

+90 232 257 61 88 - 89

ayangin@ayg.com.tr

import-export@ayg.com.tr



www.ayg.com.tr